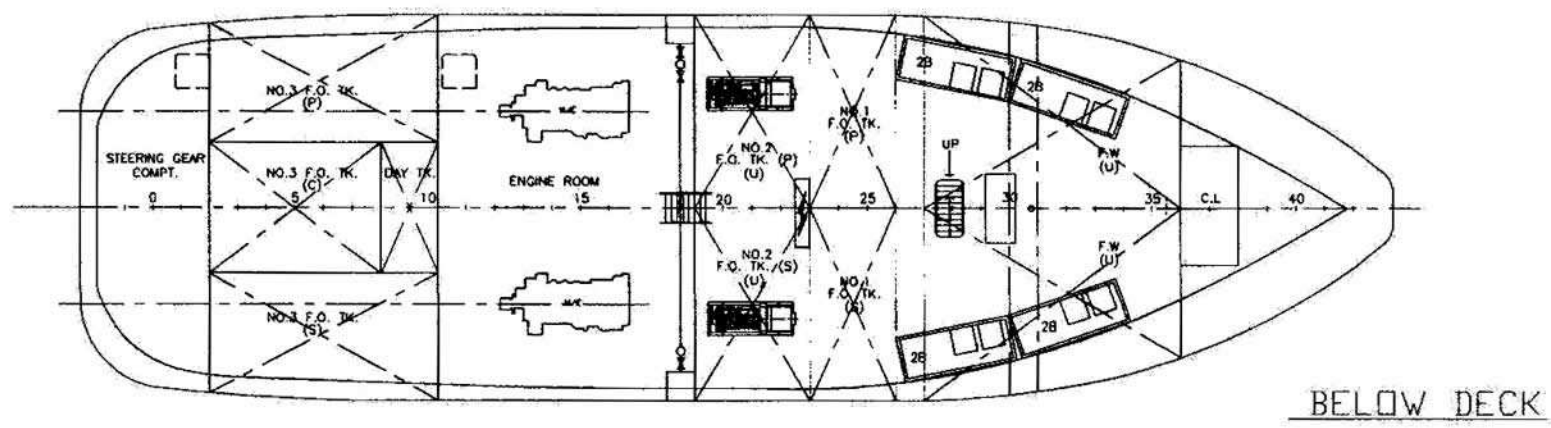
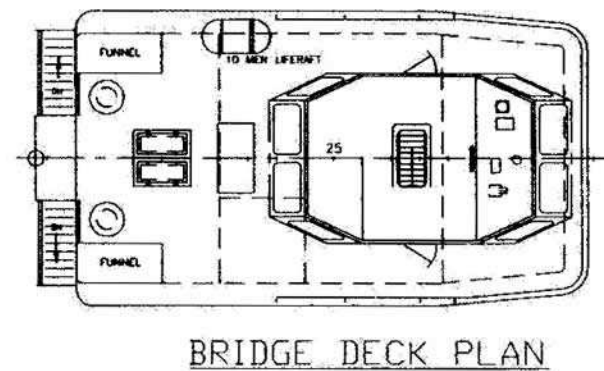
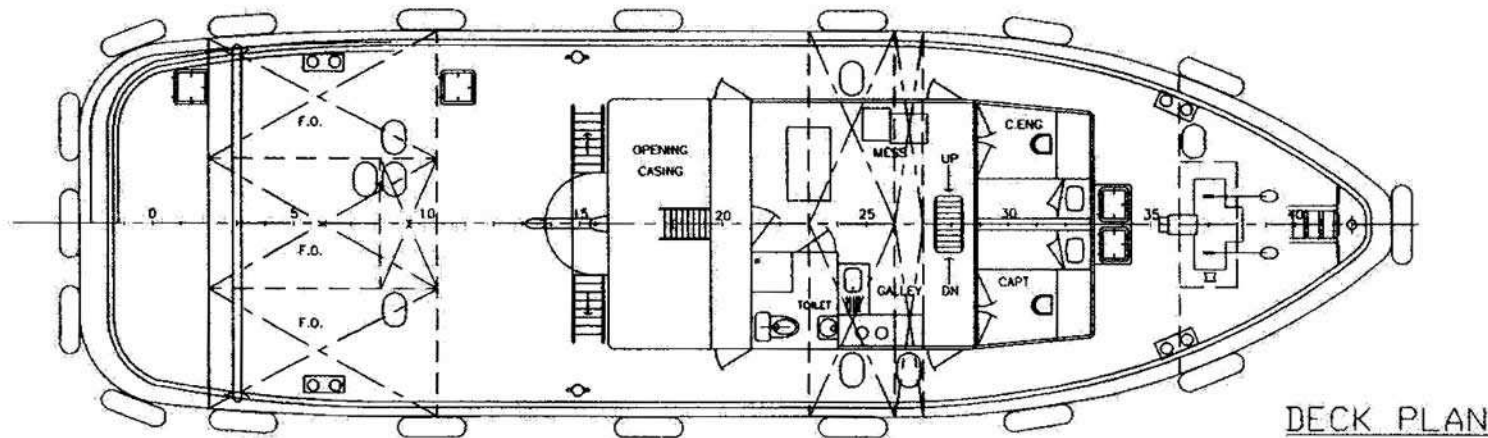


MAIN PARTICULARS

LENGTH DA	23.00M
LENGTH BP	20.850M
BREADTH MLD	6.80M
DEPTH MLD	3.43M
DRAFT DESIGNED	2.50M
FRAME SPACING	500MM
L BY NK RULES	21.088M
DS	2.500M
FUEL OIL	APPROX.79 T
FRESH WATER	APPROX.60 T
MAIN ENGINE	2 x 485 KW AT 1900 RPM
GEAR RATIO	5.05:1



DATE	MODIFICATION	REV	BY
OWNER			
BUILDER	BONAFILE SHIPBUILDERS & REPAIRS SDN. BHD.		
CLASS	NKK		
HULL NO.			
SHIP :			
23m TWIN SCREW TUG.			
TITLE :			
GENERAL ARRANGEMENT			
BONAFILE SHIPBUILDERS & REPAIRS SDN. BHD. (COMPANY NO.184278-w)			
BLOCK G, LOT 3A & 3B, BANDAR LEILA, W.D.T. NO.259, 90009 SANDAKAN, SABAH, MALAYSIA.			
TEL : 089-616263, 089-247408 FAX : 089-616654, 089-230927			
DRAWN	CHECKED	APPROVED	SCALE
			1:100
			DRAWING NO.
			REV.
			0